

FLAT-BOTTOM SWEEP DISCHARGE

N-MEBH..F1...

DESCRIPTION

The **Flat-bottom sweep discharge** is the alternative to hoppers in case of reduced vertical spaces and poorly flowing products.

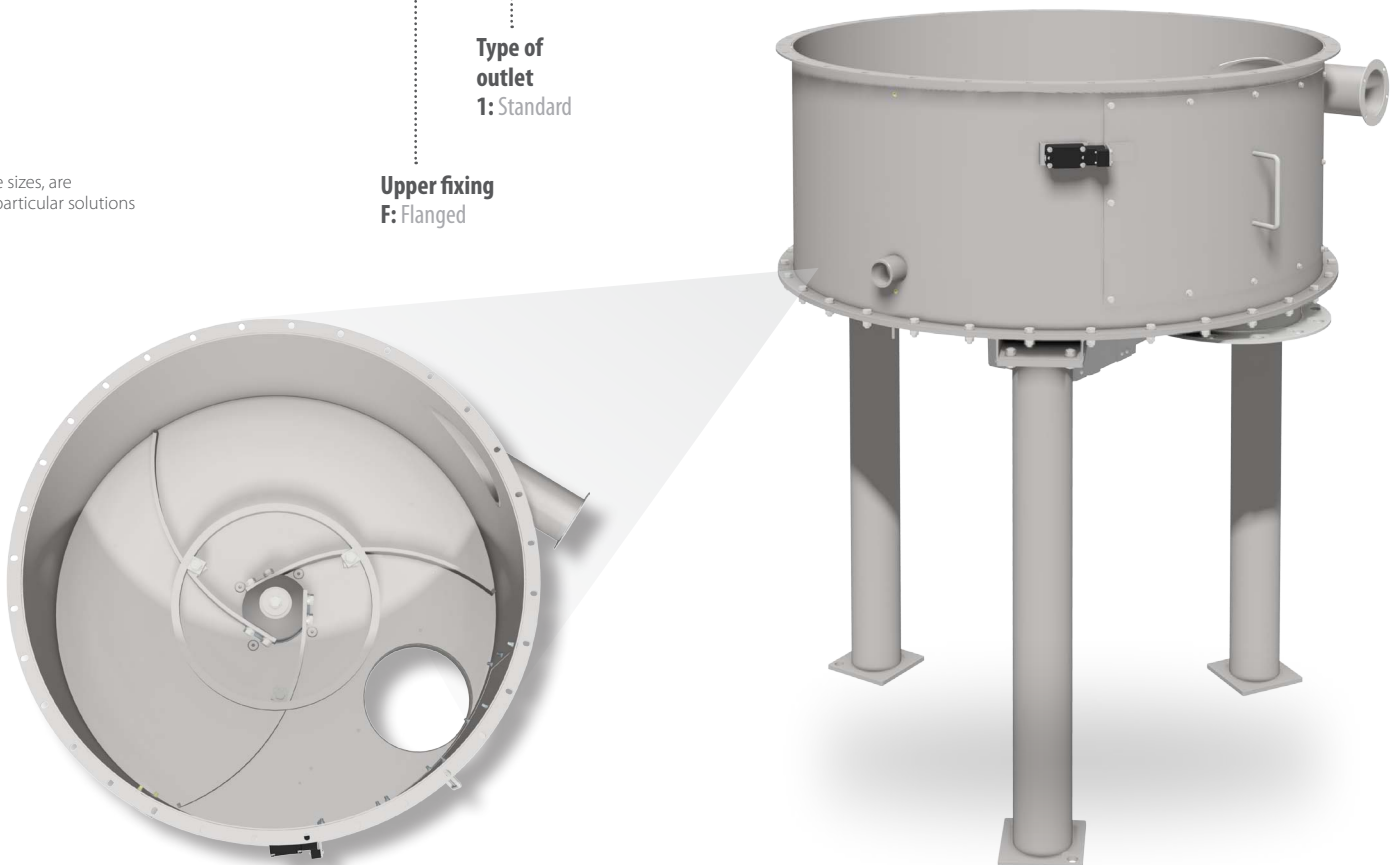
Its characteristics and advantages are:

- it is functional and simple to use;
- modular design and high quality;
- easy maintenance of the rotor and dismantling of the scrapers thanks to the inspection door;
- reduction of product residues;
- the machine is in conformity with the Directive 2006/42/EC;
- discharge spigot available as requested by the customer and compatible with a possible rotary valve; feet or brackets vary according to the different types of fixings and custom overall dimensions available; provision for minimum level indicator.

COMBINATION TABLE

N-MEB	H	10	F	1	A	A	1
Flat-bottom sweep discharge	Classification MSD	Size 10: DN.540 20: DN.790 22: DN.950 22: DN.1100 ----- 26: DN.1300* 28: DN.1550*	Upper fixing F: Flanged	Type of outlet 1: Standard	Fixing feet A: Without feet B: Feet with nominal height 700mm C: Feet with nominal height 1000 mm	Gear A: Special B: Standard	Material of construction 1: Carbon steel, RAL9006 painted 2: Stainless steel AISI 304 3: Carbon steel, EPOXY food paint inside; RAL9006 outside

*For these sizes, are possible particular solutions



FLAT-BOTTOM SWEEP DISCHARGE

DIMENSIONS

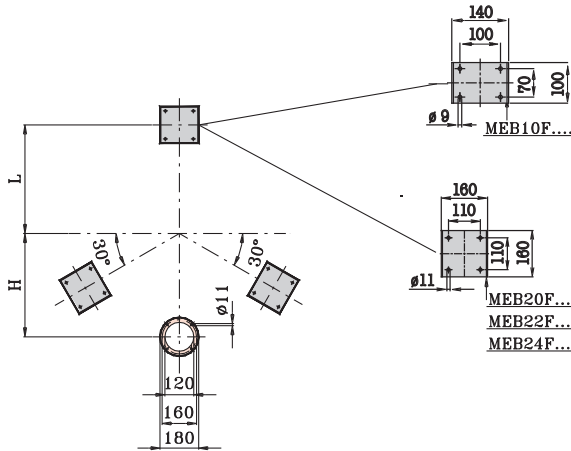
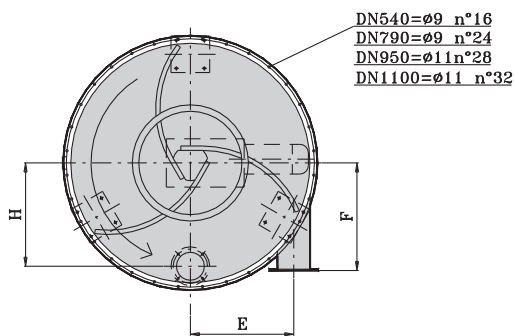
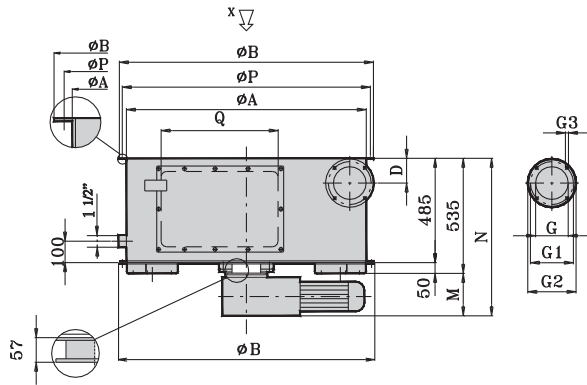


Fig.01

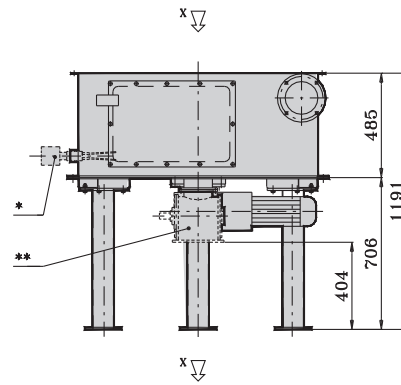


Fig.02

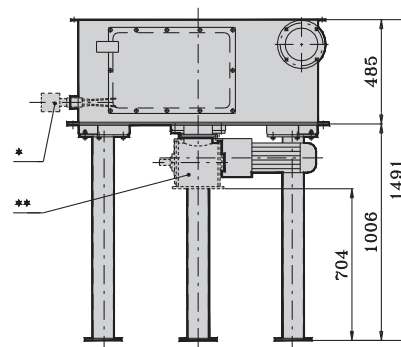


Fig.03

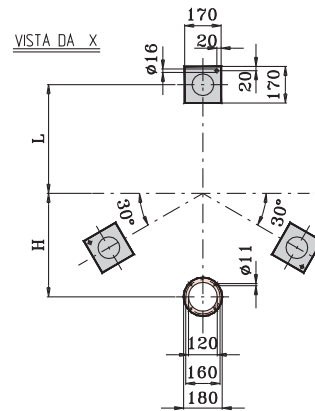


Fig.04

* Level indicator as optional to be ordered separately. Standard supplying with plug. ** Rotary valve to be ordered separately; the dimensions refer to the standard type BTC18

STD	Type	DN	Fig.	A	B	D	E	F	G	G1	G2	G3	H	L	M	N	P	Q	kW	kg
N-	MEB10F1AB.	540	1	539	590	100	220	300	101	140	165	11	202	235	150	685	570	350	0,25	73
N-	MEB10F1BB.	540	2+4	539	590	100	220	300	101	140	165	11	202	235	150	685	570	350	0,25	80
N-	MEB10F1CB.	540	3+4	539	590	100	220	300	101	140	165	11	202	235	150	685	570	350	0,25	82
N-	MEB20F1AB.	790	1	792	590	100	318	420	152	200	225	14	320	330	180	715	820	450	0,37	125
N-	MEB20F1BB.	790	2+4	792	840	115	318	420	152	200	225	14	320	330	180	715	820	450	0,37	135
N-	MEB20F1CB.	790	3+4	792	840	115	318	420	152	200	225	14	320	330	180	715	820	450	0,37	137
N-	MEB22F1AB.	950	1	956	1024	140	400	450	152	200	225	14	400	420	200	735	996	550	0,55	205
N-	MEB22F1BB.	950	2+4	956	1024	140	400	450	152	200	225	14	400	420	200	735	996	550	0,55	215
N-	MEB22F1CB.	950	3+4	956	1024	140	400	450	152	200	225	14	400	420	200	735	996	550	0,55	217
N-	MEB24F1AB.	1100	1	1116	1182	140	480	500	152	200	225	14	480	500	200	735	1154	560	0,55	245
N-	MEB24F1BB.	1100	2+4	1116	1182	140	480	500	152	200	225	14	480	500	200	735	1154	560	0,55	255
N-	MEB24F1CB.	1100	3+4	1116	1182	140	480	500	152	200	225	14	480	500	200	735	1154	560	0,55	257

NOTE: All dimensions in mm, unless stated otherwise. The Company MIX reserves the right to alter product specifications without prior notice. All the quoted sizes are approximate. The given figures are mean values with tolerances entailed by the customary production-related variations. In any particular case, and to have the correct values, our written confirmation is necessary.